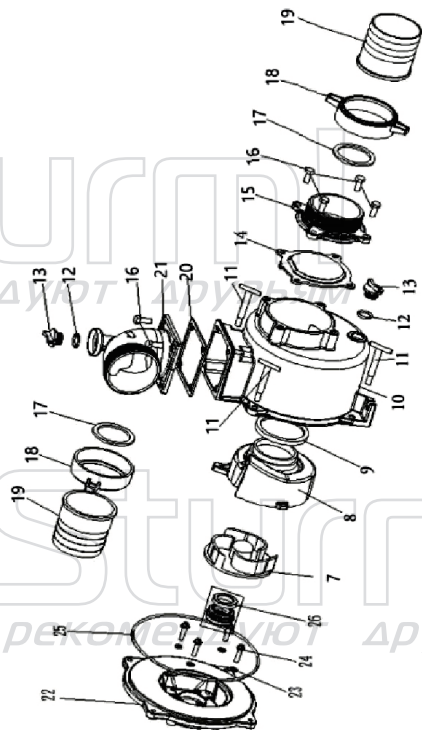
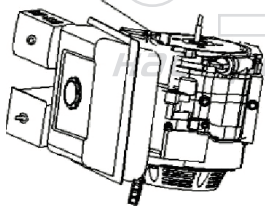
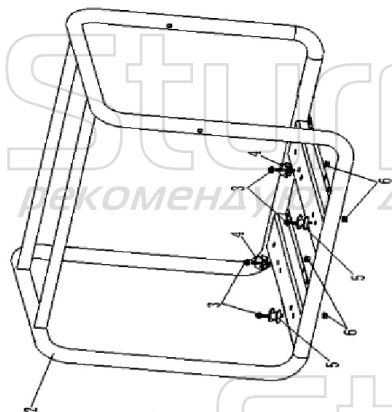


Sturm!
нас рекомендуют друзья



Sturm!
нас рекомендуют друзья



Sturm!
нас рекомендуют друзья

Sturm!
нас рекомендуют друзья

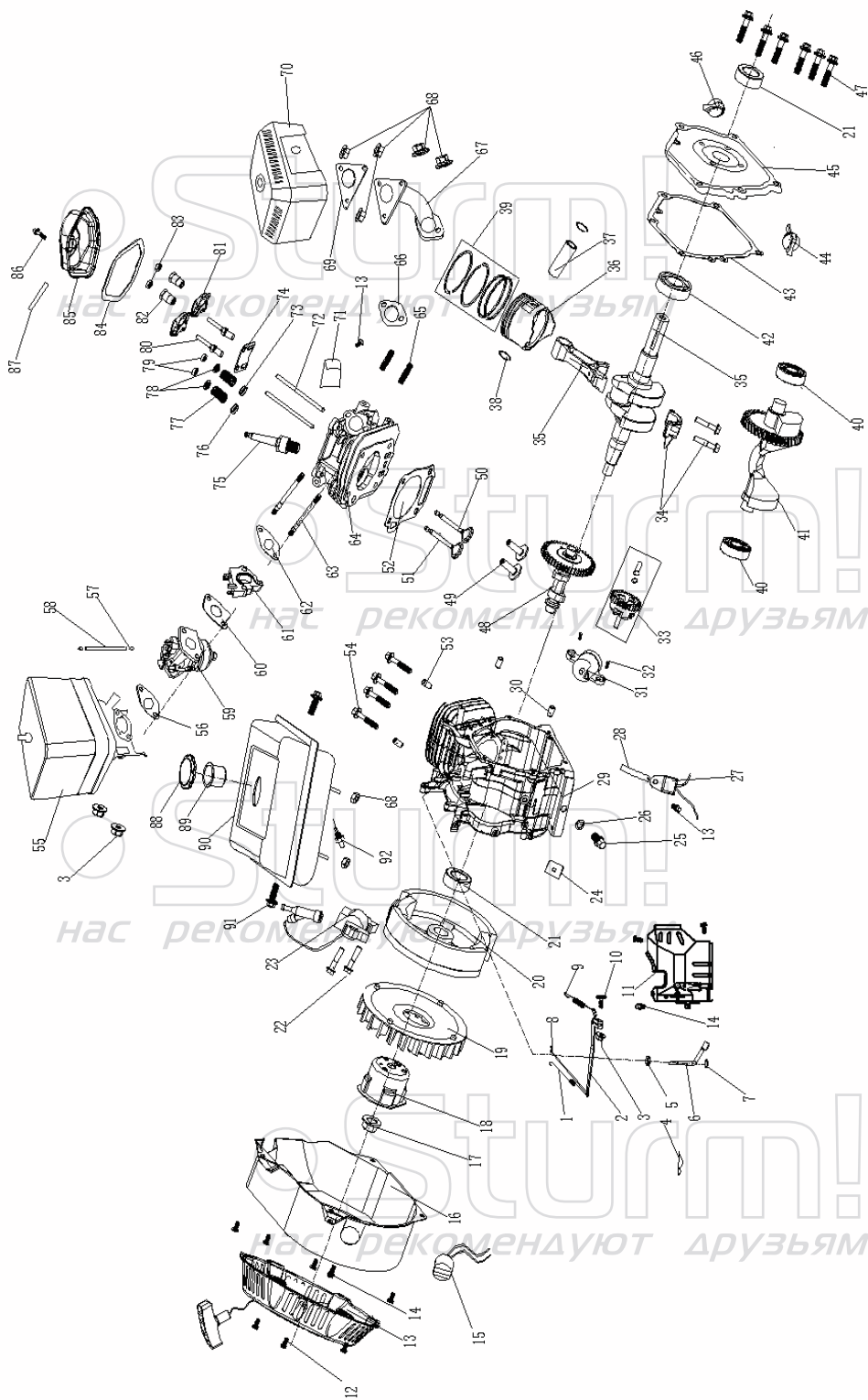
BP8703TW

NO.	DESCRIPTION
1	WATER ENGINE
2	FRAME
3	NUT
4	RUBBER FEET(RIGHT)
5	RUBBER FEET(LEFT)
6	NUT
7	IMPELLER
8	IMPELLER CASING
9	WATER SEAL
10	PUMP BODY
11	BOLT
12	"O" RING
13	SCREW
14	INLET SEAT GASKET
15	WATER INLET
16	BOLT
17	TUBE JOINT SEAL RING
18	TUBE CONNECTOR NUT
19	TUBE CONNECTOR STRAIGHT PIPE
20	OUTLET SEAT GASKET
21	OUTLET SEAT
22	PUMP BODY COVER
23	FLAT WASHER (ALU)
24	BOLT
25	SEALGASKET
26	MECHANICAL SEAL

BP8703TW-EX-RUS221013

Sturm!
нас рекомендуют друзья

Sturm!
нас рекомендуют друзья



ENGINE FOR BP8703 BP8703TW

NO.	DESCRIPTION	NO.	DESCRIPTION
1	RESET SPRING(THROTTLE VAVLE)	47	BOLT
2	CONTROL ASSEMBLY	48	CAMSHAFT ASSEMBLY
3	NUT	49	VAVLE LIFTER
4	COTTER PIN	50	EXHAUST VAVLE
5	OIL SEAL(GOVERNOR ARM SHAFT)	51	INTAKE VAVLE
6	GOVERNOR ARM	52	GSAKET (CYLINDER HEAD)
7	GASKET (GOVERNOR ARM SHAFT)	53	LOCATION PIN
8	GOVERNING PULL ROD	54	BOLT
9	GOVERNING SPRING	55	AIR CLEANER
10	BOLT	56	GSAKET(AIR CLEANER)
11	OIL CONTROL SET	57	CLAMP (FUEL PIPE)
12	BOLT	58	FUEL PIPE
13	RECOIL STARTER ASSEMBLY	59	CARBURETOR
14	BOLT	60	GSAKET (CARBURETOR)
15	SWITCH	61	INSULATION BOARD (CARBURETOR)
16	WIND SCOOPER	62	GASKET(INTAKE)
17	NUT	63	BOLT
18	STARTING PULLEY	64	CYLINDER HEAD
19	FLY WHEEL	65	BOLT
20	FLY WHEEL SET	66	GASKET(EXHAUST VAVLE)
21	OIL SEAL	67	EXHAUST PIPE
22	BOLT	68	NUT
23	IGNITOR COIL	69	MUFFLER GASKET
24	RUBBER PLUG	70	MUFFLER
25	BOLT	71	WIND SCOOPER - (CYLINDER)
26	GASKET(BOLT)	72	VAVLE LIFTER
27	OIL PROTECTOR	73	GASKET - (VALVE SPRING SEAT)
28	WIRE CLAMP	74	PLATE PUSH GUIDE
29	CRANK CASE	75	SPARK PLUG
30	LOCATION PIN	76	OIL BAFFLE COVER
31	OIL ALERT	77	VAVLE SPRING
32	BOLT	78	EXHAUST VAVLE SPRING RETAINER
33	GOVERNOR GEAR SET	79	VALVE ADJUSTING CAP
34	CONNECTING ROD	80	BOLT
35	CRANKSHAFT	81	VAVLE ROCKER ARM
36	PISTON	82	NUT
37	PISTON PIN	83	NUT
38	CLIP(PISTON PIN)	84	GASKET(CYLINDER HEAD)
39	PISTON RING	85	CYLINDER HEAD
40	BEARING	86	ASSEMBLY BOLT - (CLINDER HEAD COVER)
41	TRUNNION SHAFT	87	WASTE PIPE
42	BEARING 6207	88	FUEL TANK CAP
43	GSAKET (CRANKSHAFT)	89	FUEL FILTER
44	OIL GUAGE SET	90	FUEL TANK
45	CRANKCASE COVER	91	BOLT
46	OIL PLUG	92	NOZZLE OUTLET